

Plastic square shape photoelectric sensors **PSR** series

Features

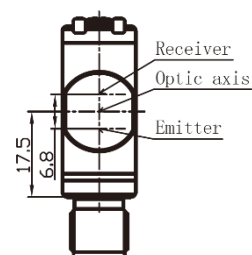
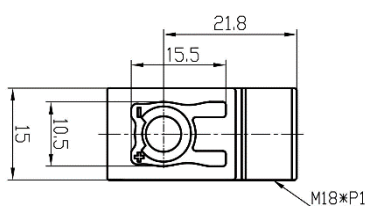
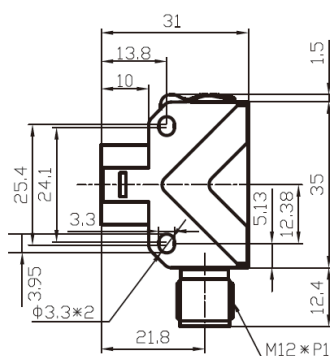
- ◆ 18mm threaded cylindrical installation or side installation, it is an ideal substitute for various styles of sensors;
- ◆ Background suppression type, stable detection regardless of white or black detected objects;
- ◆ With 360° visible bright LED status indicator;
- ◆ Visible light spot, easy to install and debug.


Part number

NPN	PSR-YC10DNBR-E2	PNP	PSR-YC10DPBR-E2
-----	-----------------	-----	-----------------

Technical specifications

Detection type	Background suppression	Anti-ambient light	Anti-ambient light interference < 10,000lx;
Rated distance [Sn]	100mm		Incandescent light interference < 3,000lx
Light source	Red LED (660nm)	Indicator display	Green light: power indicator, stable indication (low brightness, weak signal)
Light spot	8*8mm@10cm		Yellow light: output indication, short circuit or overload indication (flashing)
Output	NO/NC		
Hysteresis range [%/Sr]	≤5%	Ambient temperature	-15°C...60°C
Supply voltage	10...30VDC	Ambient humidity	35-95%RH (non-condensing)
Load current	≤100mA	Voltage withstand	1000V/AC 50/60Hz 60s
Residual voltage	≤1.8V	Insulation resistance	≥50MΩ(500VDC)
Distance adjustment	Non-adjustable	Vibration resistance	10...50Hz (0.5mm)
Consumption current	≤25mA	Degree of protection	IP67
Circuit protection	Short-circuit, overload, reverse polarity and zener protection	Housing material	ABS
Response time	≤0.5ms	Installation method	Composite installation
NO/NC adjustment	NO: 2 feet is connected to the positive electrode;	Optical components	Plastic PMMA
	NC: 2 feet is connected to the negative electrode;	Weight	10g
		Connection type	M12 connector

Dimensions


Plastic square shape photoelectric sensors **PSR** series

Features

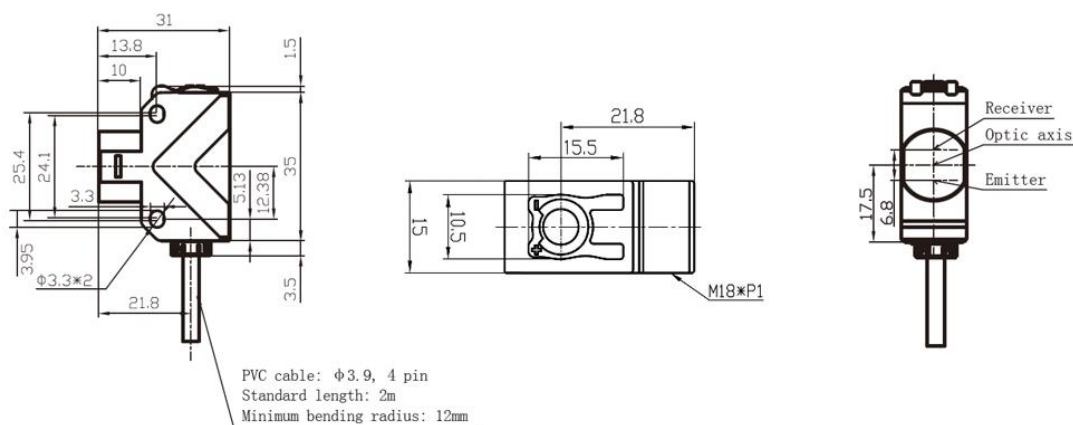
- ◆ 18mm threaded cylindrical installation or side installation, it is an ideal substitute for various styles of sensors;
- ◆ Background suppression type, stable detection regardless of white or black detected objects;
- ◆ With 360° visible bright LED status indicator;
- ◆ Visible light spot, easy to install and debug.


Part number

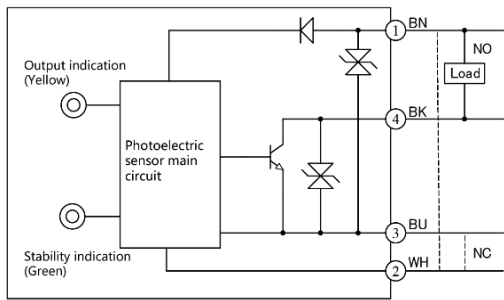
NPN	PSR-YC10DNBR	PNP	PSR-YC10DPBR
-----	--------------	-----	--------------

Technical specifications

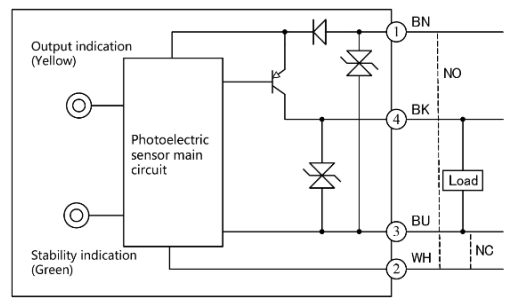
Detection type	Background suppression	Anti-ambient light	Anti-ambient light interference < 10,000lx;
Rated distance [Sn]	100mm		Incandescent light interference < 3,000lx
Light source	Red LED (660nm)	Indicator display	Green light: power indicator, stable indication (low brightness, weak signal)
Light spot	8*8mm@10cm		Yellow light: output indication, short circuit or overload indication (flashing)
Output	NO/NC		
Hysteresis range [%/Sr]	≤5%	Ambient temperature	-15°C...60°C
Supply voltage	10...30VDC	Ambient humidity	35-95%RH (non-condensing)
Load current	≤100mA	Voltage withstand	1000V/AC 50/60Hz 60s
Residual voltage	≤1.8V	Insulation resistance	≥50MΩ(500VDC)
Distance adjustment	Non-adjustable	Vibration resistance	10...50Hz (0.5mm)
Consumption current	≤25mA	Degree of protection	IP67
Circuit protection	Short-circuit, overload, reverse polarity and zener protection	Housing material	ABS
Response time	≤0.5ms	Installation method	Composite installation
NO/NC adjustment	NO: white line is connected to the positive electrode;	Optical components	Plastic PMMA
	NC: white line is connected to the negative electrode;	Weight	52g
		Connection type	2m PVC cable

Dimensions


Wiring diagram



NPN



PNP

